

Sno-King

Instruction Manual
Model #1888









 **GOLD MEDAL**®

FUNFOOD EQUIPMENT & SUPPLIES

Cincinnati, OH 45241-4807 USA

SAFETY PRECAUTIONS

	<p style="text-align: center;">⚠ DANGER</p> <p>Machine must be properly grounded to prevent electrical shock to personnel. Do not immerse the equipment in water. Keep cord and plug off the ground, and away from moisture. Always unplug the equipment before cleaning or servicing.</p>
	<p style="text-align: center;">⚠ WARNING</p> <p>Never put your fingers or any object into the shaver body (the goose-neck) while the motor is running. Serious injury may occur. <i>(Gold Medal Products does not assume any liability for injury due to careless handling and/or reckless operation of this equipment).</i></p>
	<p style="text-align: center;">⚠ WARNING</p> <p>ALWAYS wear safety glasses when servicing this equipment.</p>
	<p style="text-align: center;">⚠ WARNING</p> <p>Any alterations to this equipment will void the warranty and may cause a dangerous situation. NEVER make alterations to the equipment. Make sure all machine switches are in the off position before plugging the equipment into the receptacle.</p>
	<p style="text-align: center;">⚠ CAUTION</p> <p>Do NOT allow direct contact with this equipment and the general public when used in food service locations. Only personnel that are trained and familiar with the equipment should operate the equipment. Carefully read all installation instructions before operation.</p>
	<p style="text-align: center;">⚠ CAUTION</p> <p>This machine is NOT to be operated by minors. Minors are classified as anyone under the age of 18.</p>

NOTE

Improvements are always being made to Gold Medal Products equipment. This information may not be the latest available for your purposes. It is critical that you call Gold Medal Products technical service department at 1-800-543-0862 for any questions about machine operations, replacement parts, or any service questions.

Installation Instructions

Inspection of Shipment:

Unpack all cartons and check thoroughly for any damage that may have occurred during transit. Damage claims should be filed immediately with the transportation company. Gold Medal is not responsible for damage that occurs in transit.

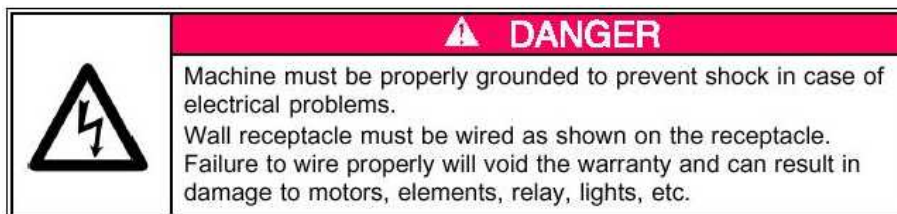
Setup:

Your new Sno-King Ice Shaver Machine is completely assembled and tested at the factory. Remove all packing material and tape before starting operation.

Electrical Requirements:

The following power supply must be provided:

Model No. 1888: 120 VAC, 60 Hz. 972 Watts 8.1 Amps



Your electrician must furnish sufficient current for proper machine operation. We recommend this ice shaver machine be on a dedicated and circuit protected line. Failure to wire properly will void the warranty and can result in damage to the heat elements, light, motor and etc.

It is Gold Medal Products Company's recommendation that this machine be plugged directly into a wall outlet. The use of extension cords is not recommended due to safety risks and the ice shaver's performance will be sacrificed/reduced.

Before You Plug In Machine:

1. Make sure that the wall outlet can accept the three (3) prong grounded plug on the power supply cord.
2. The wall outlet must have the proper polarity. If in doubt, have a competent electrician inspect the outlet and correct if necessary.
3. **DO NOT** use a three (3) prong grounded to two (2) prong un-grounded adapter.

Machine Operation

Ice Requirements

The Sno-King can take ice cubes small or medium in size if you break the block into pieces approximately 2 to 3 inches in size.

NOTE: The ice will not enter the shaving chute if the pieces are too large.

Operating the Sno-King

1. Turn power on.
2. Raise hopper lid.
3. Fill hopper with Ice.
4. Close lid.
5. Press momentary switch to shave.

NOTE:

Never allow any foreign or metallic objects around the shaver area of the Sno-King. Ice picks, scoops, and debris that may be in the ice often damage blades.

Harder ice will result in finer snow, while soft ice will result in coarser snow.

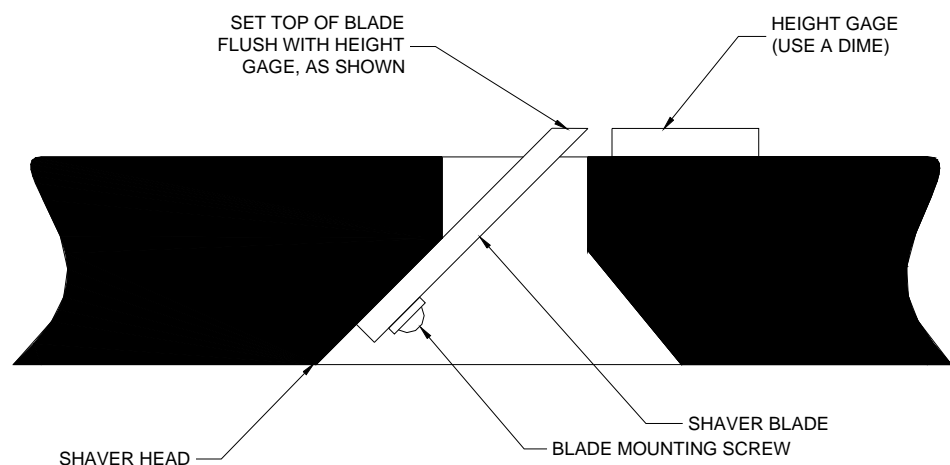
Installing New Shaving Blades

Inspect your equipment before replacing the blades. With the **POWER** switch **OFF**, use a flashlight to examine the blades in the shaver body. If the blades appear to be nicked or bent, then the blades should be replaced.



Follow this procedure:

1. Unplug the main power supply cord from the electrical outlet.
2. Remove the shaver head from the motor shaft by loosening the Allen head set screws between the motor and the hopper.
3. Remove the shaver head. Pull the shaver head off of the motor shaft and through the hopper. If the shaver head is frozen onto the shaft, remove the hold down bolts on the motor. Pull the motor back, trapping the shaver head against the inside of the hopper, until the shaver head disengages.
4. After removing the shaver head, check the motor shaft for burrs and corrosion. Use a fine tooth file to remove the burrs and corrosion.
5. Remove the blades from the shaver head. These blades may be re-sharpened, but it is far better to replace the old blades with a new set.
6. Position the new blades and insert screws until they are finger tight.
7. Set the blade thickness equal to a dime. (See illustration below.) Make sure that the height is even across the shaver head.
8. Tighten the blade screws completely. Check the blades again with a dime to ensure the blades did not move while tightening the screws.
9. Replace the motor and shaver head. Mount the motor using the hold down bolts. Insert the shaver head through the hopper and onto the motor shaft. Press the shaver head onto the motor shaft with the pusher handle, then move the shaver head in another 1/8". Check that the shaver head is not rubbing against the back of the hopper and the blades are not touching the pusher handle.
10. Replace the set screws between the hopper and the motor.

NOTE: Replace any shims that were between the motor base and the mounting surface.



MAINTENANCE INSTRUCTIONS

	<p style="text-align: center;">⚠ DANGER</p> <p>Do NOT immerse the equipment in water. Unplug your machine before servicing.</p>
	<p style="text-align: center;">⚠ WARNING</p> <p>Adequate eye protection must be used when servicing this equipment to prevent the possibility of injury.</p>
	<p style="text-align: center;">⚠ CAUTION</p> <p>THE FOLLOWING SECTIONS OF THIS MANUAL ARE INTENDED ONLY FOR QUALIFIED SERVICE PERSONNEL WHO ARE FAMILIAR WITH ELECTRICAL EQUIPMENT. THESE ARE NOT INTENDED FOR THE OPERATOR.</p>

ORDERING SPARE PARTS

*** Always speak to a Gold Medal Products Technical Service Advisor before ordering any parts to help ensure accuracy for your product. Included diagrams may not be the latest information.**

1. Identify the needed part by checking it against the photos, illustrations, and/or parts list.
2. When ordering, please include part number, part name, and quantity needed.
3. Please include your model name, serial number, and date of manufacture (located on the machine nameplate) with your order.
4. Address all parts orders to:

Parts Department
Gold Medal Products Co.
10700 Medallion Drive
Cincinnati, Ohio 45241-4807

Or, place orders by phone or online:

(800) 543-0862

(513) 769-7676

Fax: (513) 769-8500

E-mail: info@gmpopcorn.com

Web Page: www.gmpopcorn.com

#1888 Assembly



#1888 ASSEMBLY

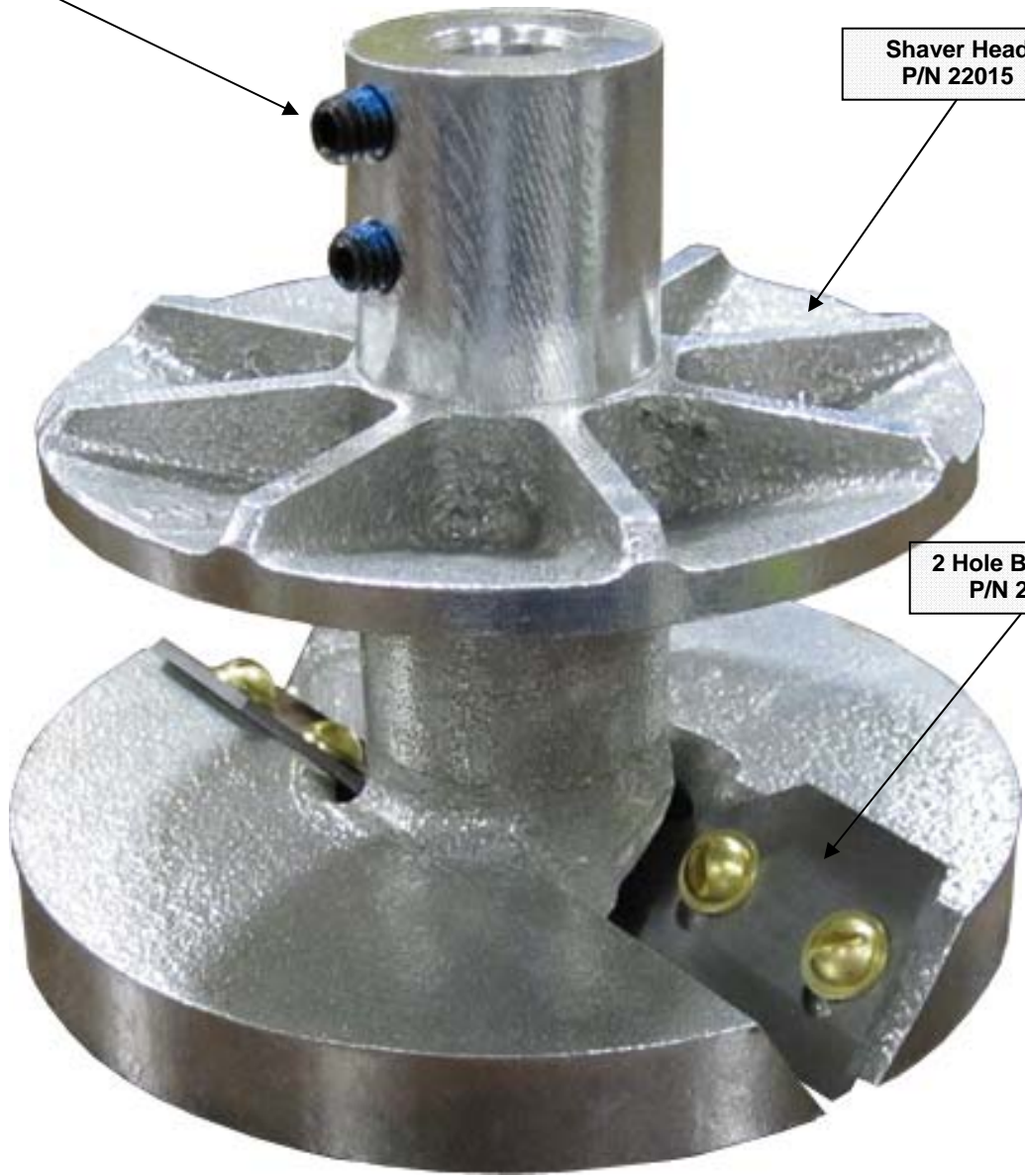


SHAVER HEAD

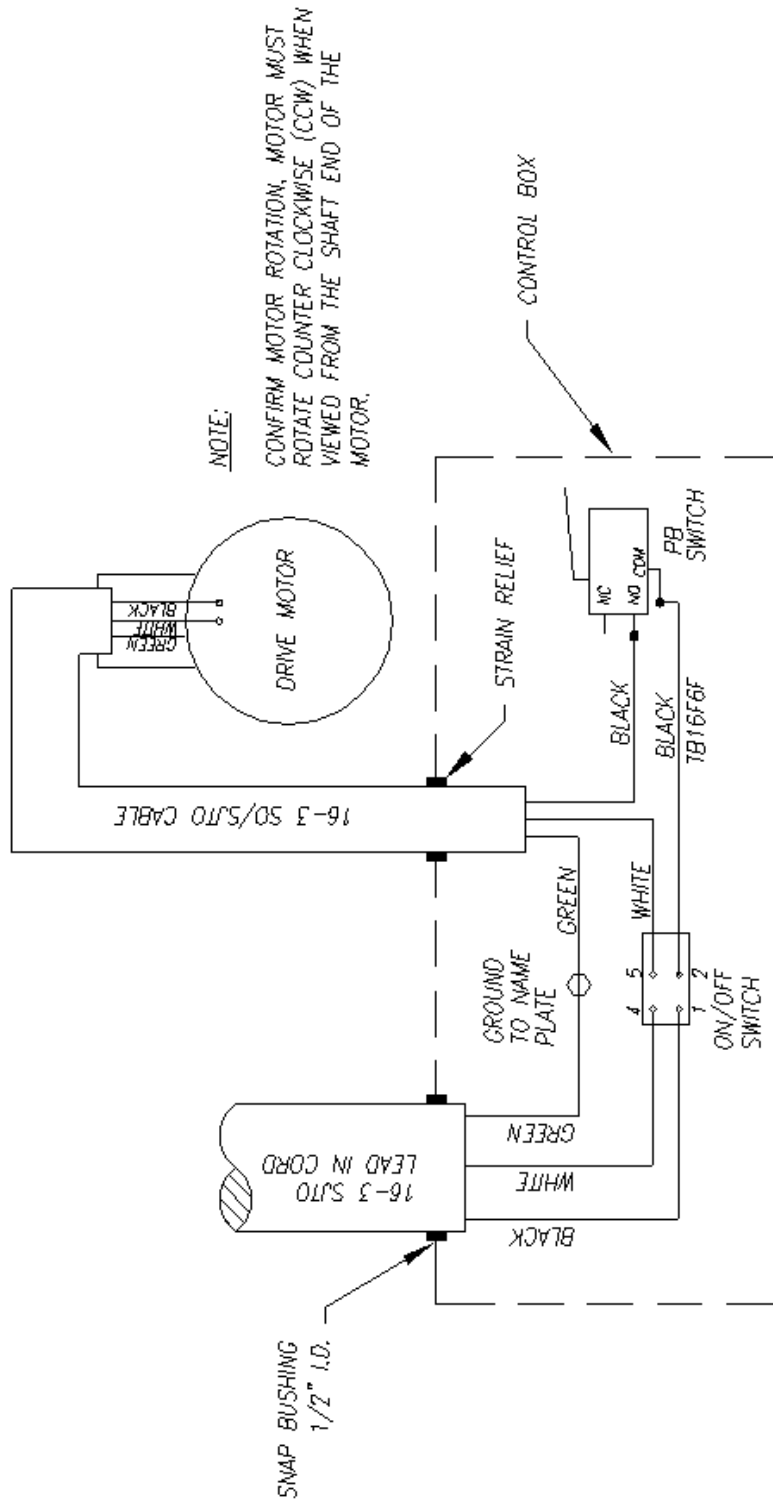
Set Screw 1/4-20 x 3/8 (x2)
P/N 74125

Shaver Head
P/N 22015

2 Hole Blade Set
P/N 22017



ELECTRICAL SCHEMATIC MODEL #1888



WARRANTY

WE WARRANT to the original purchaser the Gold Medal equipment sold by us to be free from defects in material or workmanship under normal use and service. Our obligation under this warranty shall be limited to the repair or replacement of any defective part for a period of six (6) months from the date of sale to the Original Purchaser with regard to labor and two (2) years with regard to parts and does not cover damage to the equipment caused by accident, alteration, improper use, voltage, abuse, or failure to follow instructions.

THIS WARRANTY IS IN LIEU OF ALL OTHER WARRANTIES EXPRESSED OR IMPLIED, AND OF ALL OTHER OBLIGATIONS OR LIABILITIES ON OUR PART, INCLUDING THE IMPLIED WARRANTY OF MERCHANTABILITY. THERE ARE NO WARRANTIES WHICH EXTEND BEYOND THE DESCRIPTION ON THE FACE HEREOF. We neither assume, nor authorize any other person to assume for us, any other obligation or liability in connection with the sale of said GOLD MEDAL equipment or any part thereof.

The term "Original Purchaser" as used in this warranty shall be deemed to mean that person, firm, association, or corporation who was billed by the GOLD MEDAL PRODUCTS COMPANY, or their authorized distributor for the equipment.

THIS WARRANTY HAS NO EFFECT AND IS VOID UNLESS THE ORIGINAL PURCHASER FIRST CALLS GOLD MEDAL PRODUCTS COMPANY AT 1-800-543-0862 TO DISCUSS WITH OUR SERVICE REPRESENTATIVE THE EQUIPMENT PROBLEM, AND, IF NECESSARY, FOR INSTRUCTIONS CONCERNING THE REPAIR OR REPLACEMENT OF PARTS.



GOLD MEDAL PRODUCTS COMPANY

10700 Medallion Drive

Cincinnati, Ohio 45241-4807 USA

www.gmpopcorn.com

Phone: 1-800-543-0862

Fax: 1-800-542-1496

© The text, descriptions, graphics and other material in this publication are the proprietary and exclusive property of Gold Medal Products Company and shall not be used, copied, reproduced, reprinted or published in any fashion, including website display, without its express written consent.